



MODEL 9700 INSTRUCTIONS

INSTALL CONNECTING ROD

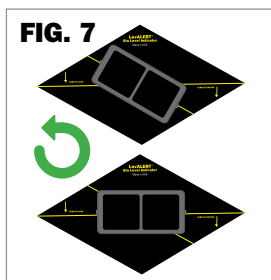
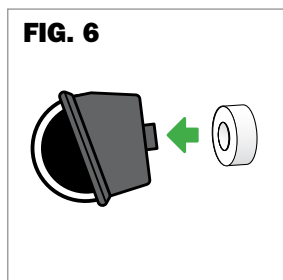
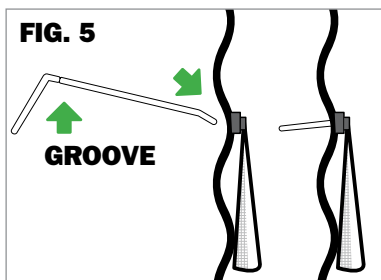
NOTE: The Connecting Rod contains a groove for the o-ring.

1. Insert the Connecting Rod into the orange o-ring of the Activator Frame. **FIG. 5**
2. Push the Connecting Rod all the way down until you hit the bend. **FIG. 5**
3. Lightly pull up on the Connecting Rod until you feel the groove of the Connecting Rod pop into the o-ring. **FIG. 5**

INSTALL INDICATOR ASSEMBLY

1. Place Gasket on the back of the Indicator. **FIG. 6**
2. Insert the tip of the Connecting Rod into the back of the Indicator (orange ring). **NOTE:** The groove in the connecting rod must set into the orange ring.

3. Tilt the Indicator approximately 30% to align with the yellow line on the Sticker. Push the Indicator onto the Activator Frame and turn counterclockwise until it locks into place. **FIG. 7**



TROUBLESHOOTING

STUCK IN YELLOW POSITION?

High moisture or coated granular materials can stick to the bin wall. Visually check inside bin to see if granular material has stuck onto the bin wall against the activator. If granular material is not causing the problem, tighten the return spring tension. Turn the thumbscrew on the bottom of the indicator in a clockwise direction until the indicator is completely black.

ONLY DISPLAYS PARTIALLY YELLOW?

Reduce the spring tension by turning the thumbscrew on the bottom of the indicator counterclockwise.



MODEL 9700 INSTRUCTIONS

TOOLS NEEDED

1. Power Drill
2. 1-1/8" (29mm) Holesaw
3. Round Metal File
4. Center Punch & Hammer
5. Pliers & Channel Lock Pliers

Thank you for using
LevALERT Bin Level Indicators!

CONTACT INFORMATION

LevALERT, Inc. 15105 Minnetonka Ind. Rd. Suite 228 Minnetonka, MN 55345	612-643-1784 sales@levalert.com www.levalert.com
----------------------------------------------------------------------------------	--------------------------------------------------------



SAFETY PRECAUTIONS: Secure your ladder and use a safety line. Wear safety goggles while drilling hole.

SELECT LOCATION

The LevALERT Model 9700 is designed to be installed at any position along a 90° vertical wall section.

Do not install on sloped areas of bin or within 8" (21cm) of obstructions inside the bin such as protruding nuts/bolts, ladders, wall stiffeners, etc.

NOTE: Installs on outside of corrugated or flat bins up to 3/8" in thickness.

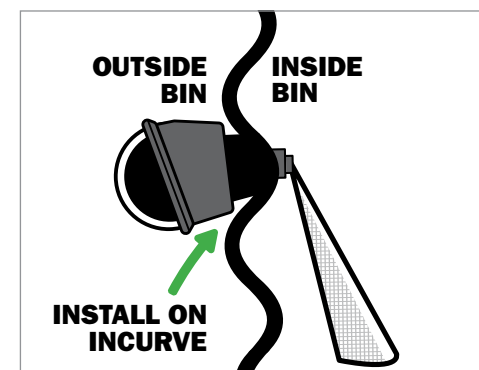
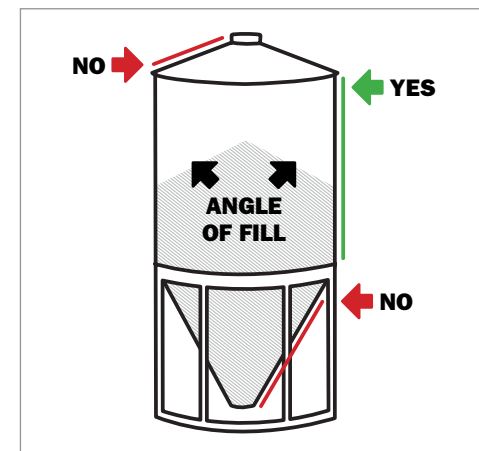
NOTE: Account for the angle of fill when determining installation location.

CORRUGATED BIN WALLS

Install LevALERT Indicator on the INCURVE of the corrugation.

Always use a center punch and hammer to mark location to prevent drill bit from walking.

CAUTION: LevALERT may not work with all types of grain spreaders.





MODEL 9700 INSTRUCTIONS

INSTALLATION VIDEO

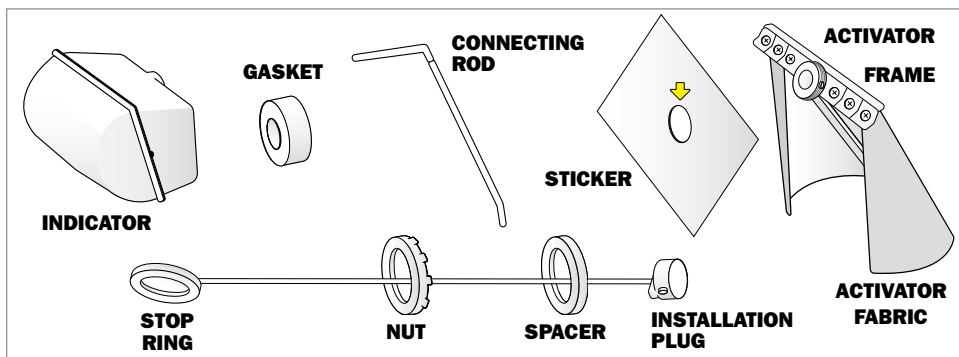


Watch our installation video at www.levalert.com/installation. You can also access by scanning the QR Code with your phone.



DURING THE FIRST FILLING/EMPTYING OF YOUR BIN, MONITOR THE OPERATION OF THE LEVALERT INDICATOR CLOSELY TO ENSURE THE UNIT IS WORKING PROPERLY. ADJUSTMENTS MAY BE NECESSARY. NOT FOR USE IN FDA APPLICATIONS.

PACKAGE CONTENTS



DRILL HOLE AND APPLY STICKER

1. Wipe bin wall clean with a damp cloth to remove dust, oil and grease.
2. Apply the black diamond-shaped sticker by first removing only the 1/4" (6mm) wide center strip of backing. Position the sticker horizontally on the bin wall.

IMPORTANT: Keep the left and right hand tips of the sticker as horizontal as possible. If not horizontal, lift and reposition the sticker. When correct, remove the upper and lower halves of backing and press sticker firmly onto the bin wall.

NOTE: Minimum temperature for adhesion to metal wall bin is 32° F. (0° C.)

3. Use a punch and hammer to mark the 1-1/8" (29mm) center hole of the sticker. This will prevent your drill bit from walking.
4. Drill the center 1/4" (6mm) hole in the bin wall.
5. Enlarge the 1/4" (6mm) hole to 1-1/8" (29mm) diameter using a 1-1/8" (29mm) holesaw containing a 1/4" rod for greatest accuracy. If using a twist drill bit, gradually increase the hole size to 1-1/8" (29mm).
6. File hole to remove burrs and sharp edges. Remove metal shavings from bin floor.



MODEL 9700 INSTRUCTIONS

INSTALL ACTIVATOR ASSEMBLY

1. Thread the Installation Plug through the Nut, with the points facing the bin. **FIG. 1**
2. Thread the Installation Plug through the Spacer. **FIG. 1**

NOTE: For 2.66" corrugated bin wall, have the points of the Nut face away from the bin wall and do not use the Spacer.

3. Slide the Installation Plug straight into the slotted holes of the Activator Frame and turn counterclockwise to lock into place. **FIG. 2**
4. Remove the green plastic stick from the middle of the Activator Fabric. **FIG. 2**
5. Tightly roll the Activator Fabric around the Activator Frame.
6. Insert the rolled Activator through the hole. The Stop Ring will prevent the Activator from falling into the bin.
7. Pull the Stop Ring. Line up the yellow arrow on the Sticker with the yellow line on the Activator Frame. **FIG. 3**
8. With the yellow aligned, keep light tension on the Stop Ring and start to thread the Nut onto the Activator Frame by hand. To tighten the Nut, hold the Installation Plug with channel lock pliers and turn using pliers. Do not over tighten.
9. Remove the Installation Plug by turning it clockwise. **FIG. 4**

